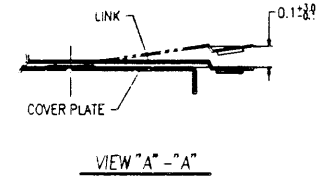
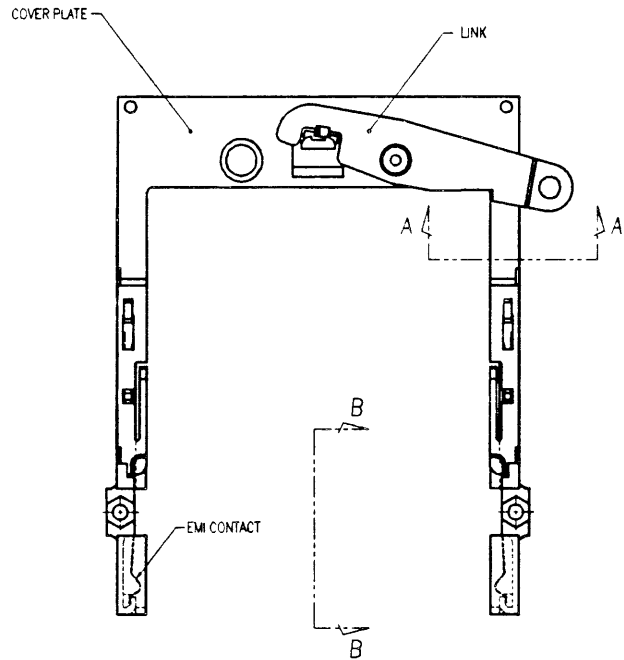


PRODUCT NO.
92768-001

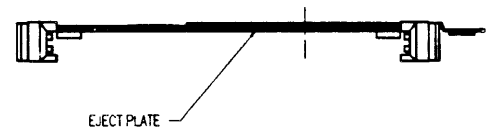
REVISIONS			
REV	DESCRIPTION	FCN	BY DATE
A	RELEASED	J30099	NIT 4/1/78
B	ADDED	J37287	M 1/13/83



VIEW "A" - "A"



VIEW "B" - "B"



NOTE

1 THIS GUIDE ASSY SHOULD BE FOR THE SINGLE OR UPPER DECK OF DOUBLE HDR (NON-PUSH ROD).

注意

1 ※ GUIDE ASSYは NON-PUSH RODタイプのシングル用又はダブルヘッダーの UPPER DECK 用に使用のこと。

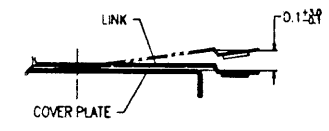
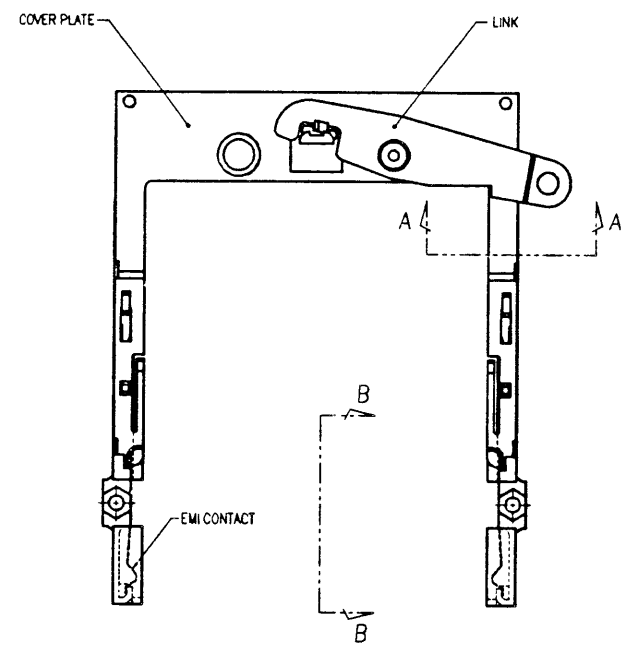
SHEET INDEX	ISSUE	B	A	A	A	A	A	A	A	A	A	A	A	A	A	A	A	A	A	A	
SH NO.	1	2	3	4	5	6	7	8	9	10	11										
TOLERANCES UNLESS OTHERWISE SPECIFIED		MAY		ENGR		DATE		CUSTOMER		COPY		TITLE		SCALE		SIZE		DWG. NO.		REV. SHEET	
LINEAR																					
ANGLES																					



TITLE: 68P EJECTOR HEADER TYPE I / II / III MECHANISM ASSY (NON-PUSH ROD)
SCALE: 2/1 C
DWG. NO.: 92768
REV. SHEET: B 1 of 1

PRODUCT NO.
92768-021

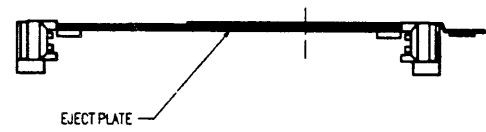
REVISIONS			
REV	DESCRIPTION	ECN	BY DATE
A	RELEASED	J300499	N.T. 4/17/83



VIEW "A" - "A"



VIEW "B" - "B"



NOTE

1 THIS GUIDE ASSY SHOULD BE FOR THE SINGLE OR UPPER DECK OF DOUBLE HDR (NON-PUSH ROD).

注意

1 本 GUIDE ASSY は NON-PUSH ROD タイプのシシクル用又はダブルヘッダーの UPPER DECK 用に使用のこと。

SHEET INDEX	ISSUE SH. NO.	MAT	DR	DATE	CUSTOMER COPY
		II	M. Fukuro	2/28/80	
			ENG		
			K. Takai	2/28/80	
			CHK		
		II	M. Nagano	4/17/80	
			M. Kinoshita	4/23/80	

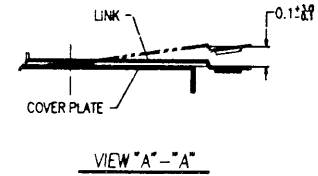
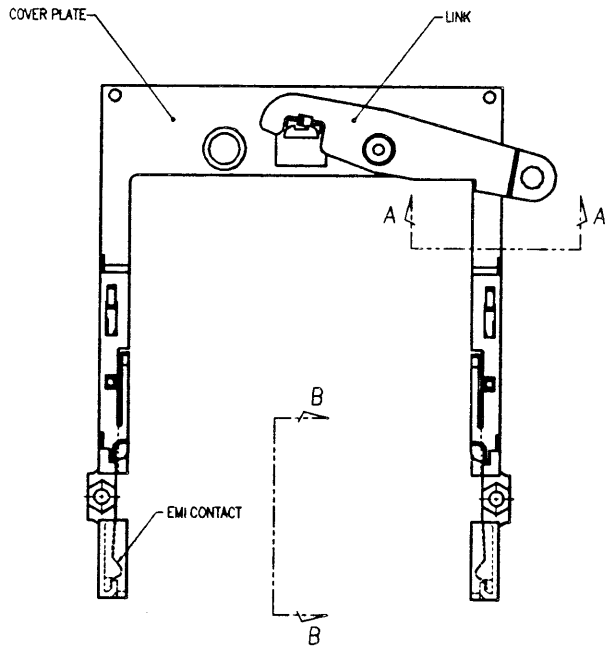
DuPont Electronics

68P EJECTOR HEADER TYPE 1 / II / III
MECHANISM ASSY (NON-PUSH ROD)

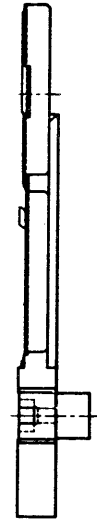
SCALE: 2/1 C
SIZE: C
DWG. NO.: 92768
REV: A
SHEET: 2 of 2

PRODUCT NO.
92768-051

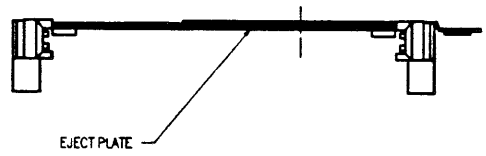
REVISIONS				
REV	DESCRIPTION	ECN	BY	DATE
A	RELEASED	J30099	N.T.	4/1/93



VIEW "A" - "A"



VIEW "B" - "B"



NOTE

1 THIS GUIDE ASSY SHOULD BE FOR THE SINGLE OR UPPER DECK OF DOUBLE HDR (NON-PUSH ROD).

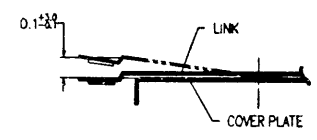
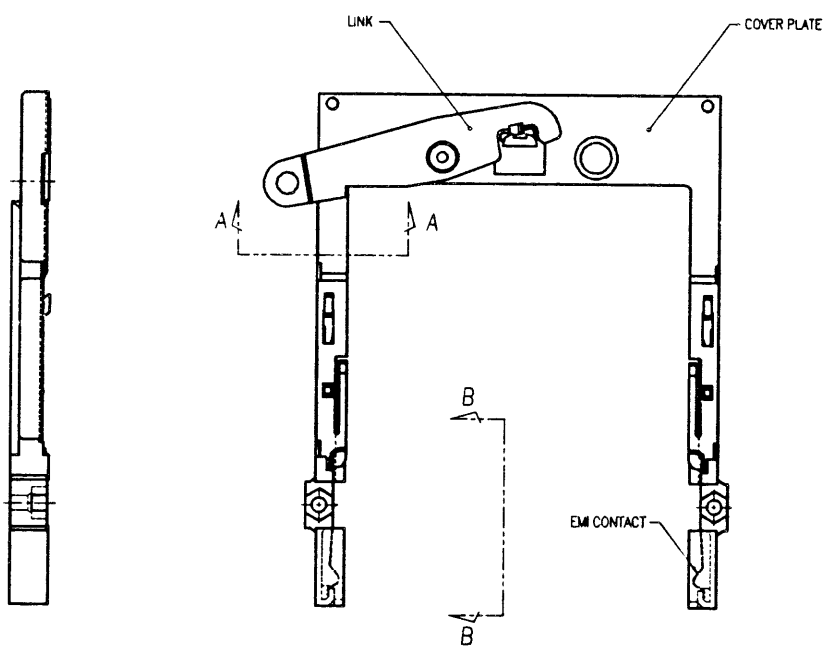
注意

1 本 GUIDE ASSY は NON-PUSH ROD タイプのシングル用又はダブルヘッダーの UPPER DECK 用に使用すること。

SHEET INDEX	ISSUE SH. NO.											DuPont Electronics 			
TOLERANCES UNLESS OTHERWISE SPECIFIED		MAT	DR	DATE	CUSTOMER COPY	TITLE					SCALE	SIZE	DWG. NO.	REV	SHEET
			<i>M. Shikano</i>	2/24/93		58P EJECTOR HEADER TYPE 1 / # / # MECHANISM ASSY (NON-PUSH ROD)					2/1	C	92768	A	3 of
LINEAR		FINISH	ENGR	DATE	ISSUE	UNIT									
			<i>N. Takai</i>	2/24/93		MM									
ANGLES			<i>M. Koyama</i>	4/1/93											
			<i>M. Shikano</i>	05/93											

PRODUCT NO.
92768-101

REVISIONS				
REV	DESCRIPTION	ECN	BY	DATE
A	RELEASED	J30099	N.T.	4/1/73



VIEW "A" - "A"



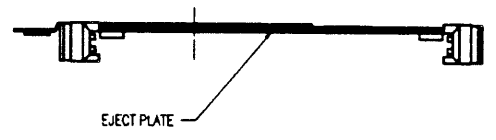
VIEW "B" - "B"

NOTE

1 THIS GUIDE ASSY SHOULD BE FOR THE SINGLE OR UPPER DECK OF DOUBLE HDR (NON-PUSH ROD).

注意

1 本 GUIDE ASSY は NON-PUSH ROD タイプのシングル用又はダブルヘッダーの UPPER DECK 用に使用のこと。



SHEET INDEX	ISSUE		MAY	DR	DATE	CUSTOMER
	SH NO.					
			II	<i>M. Shikawa</i>	3/20/70	COPY
				<i>N. Takai</i>	3/20/70	
			II	<i>M. Nagano</i>	4/1/70	THIRD ANGLE PROJ
				<i>S. Muraoka</i>	4/1/70	UNIT

DuPont Electronics

TITLE: 68P EJECTOR HEADER TYPE I / II / III MECHANISM ASSY (NON-PUSH ROD)

SCALE: 2/1 C DIMS: 92768 REV: A SHEET: 4 of 4